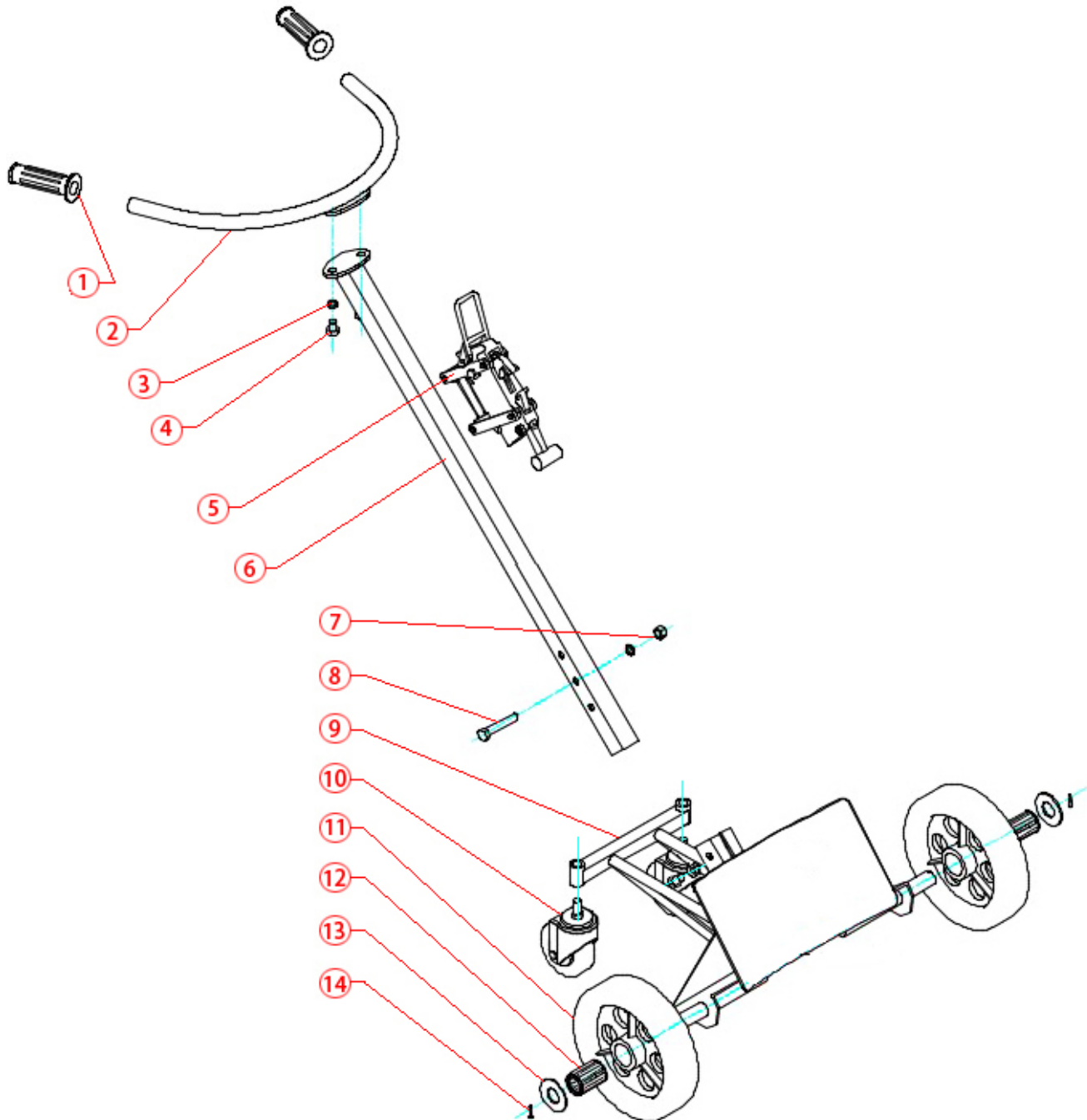


Liftomatic Material Handling, Inc.

700 Dartmouth Lane
Buffalo Grove, IL 60089

Phone 847 325-2930
Fax 847 325-2959
Toll Free 800 837-6540



SCHEMATIC for 10HT-RC DRUM HAND TRUCK



Liftomatic Material Handling, Inc.

700 Dartmouth Lane
Buffalo Grove, IL 60089

Phone 847 325-2930
Fax 847 325-2959
Toll Free 800 837-6540

PART LIST for 10HT-RC DRUM HAND TRUCK

No.	Part Number	Quantity	Description
1	6995	2	HANDLE GRIP
2	2161	1	HANDLE
3	6078	3	LOCK WASHER
4	6142-M	3	CAP SCREW
5	4015	1	CLAMPING ASSEMBLY
6	2162	1	POST
7	6322	2	HEX NUT
8	6144-M	1	BOLT
9	2034-RC	1	CHASSIS ROUND CRADLE
10	6171-ST	2	CASTER
11	6161	2	FRONT WHEEL
12	6162	2	BEARING
13	6071	2	FLAT WASHER
14	6061	2	COTTER PIN